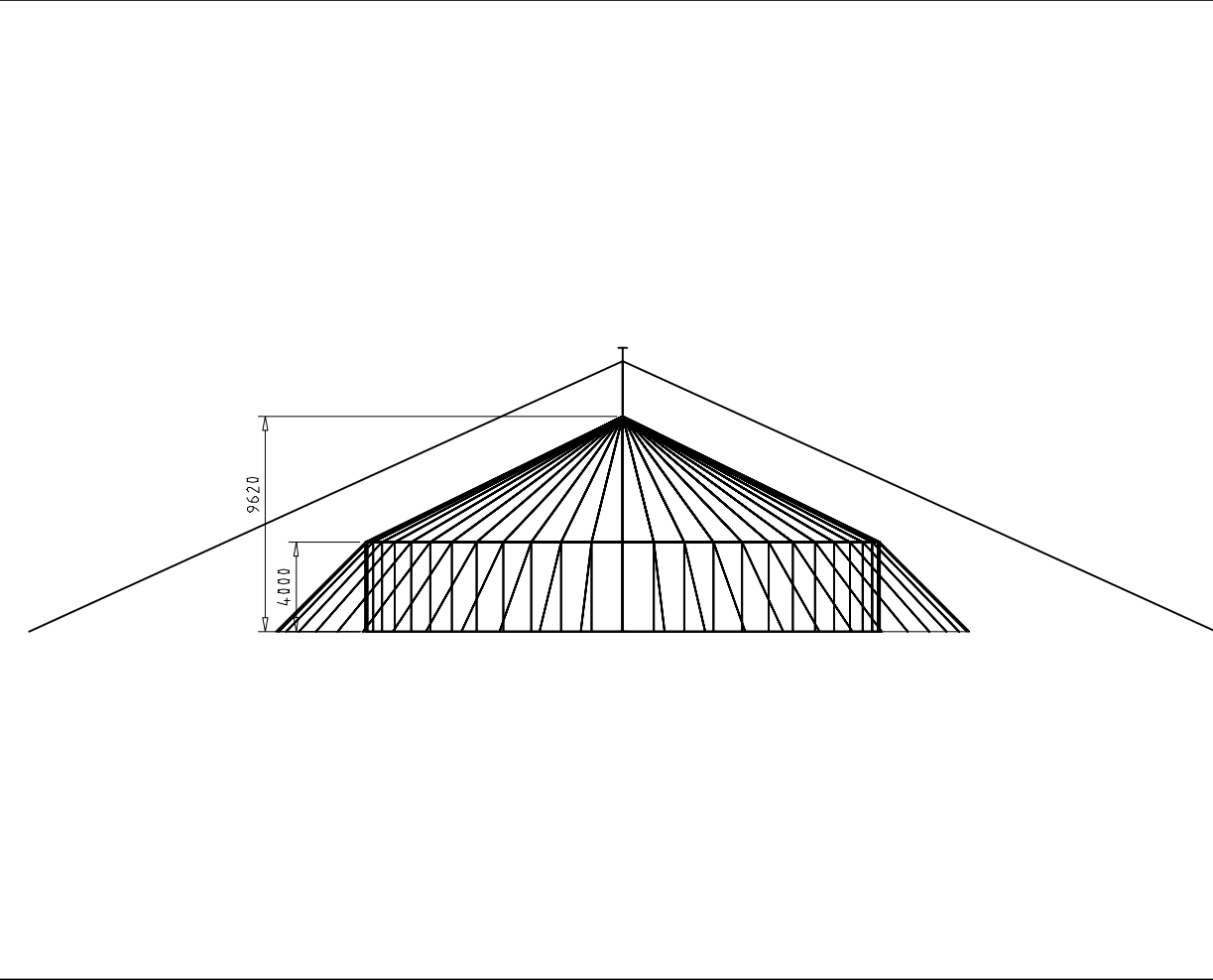
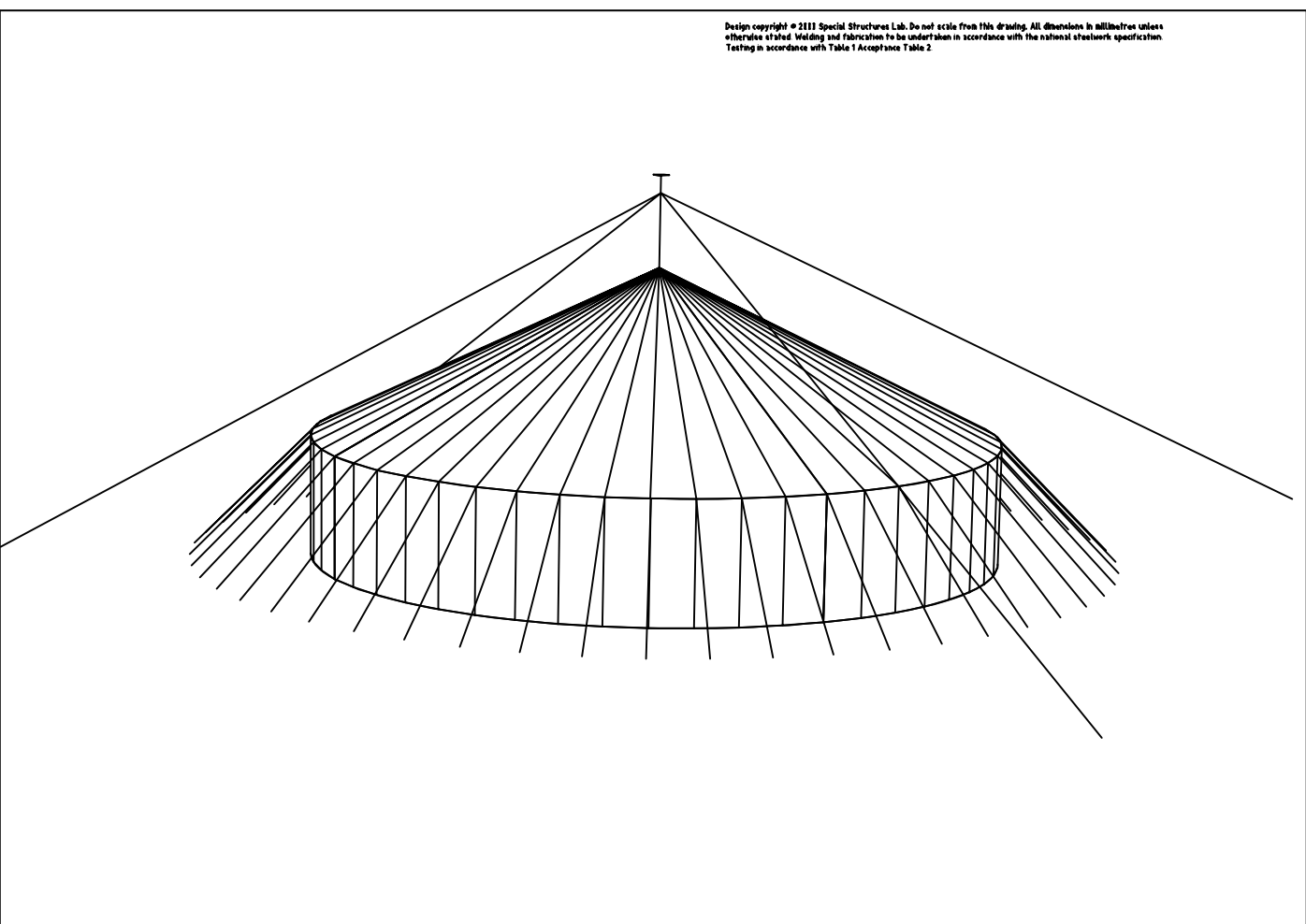
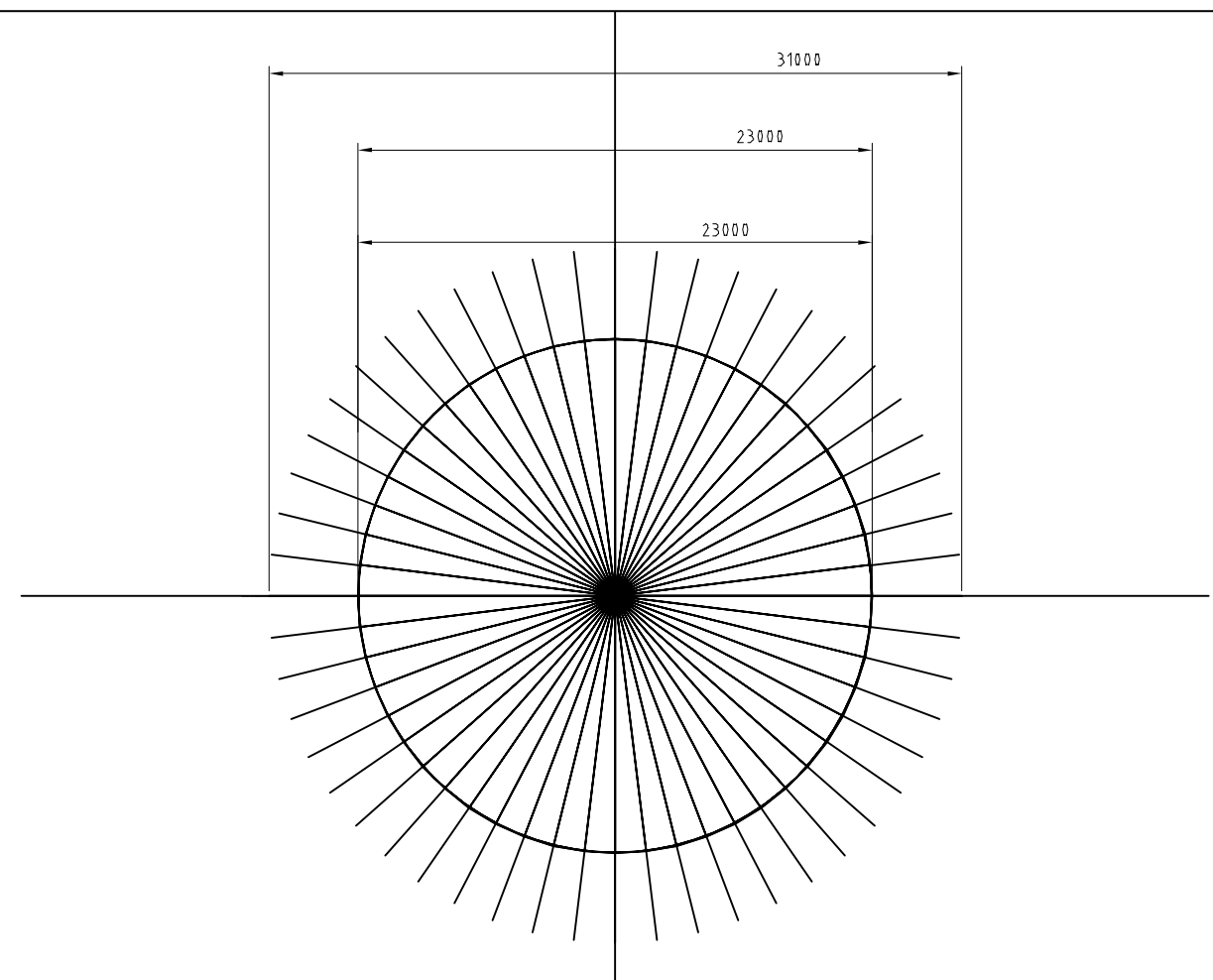



Design copyright © 2011 Special Structures Lab. Do not scale from this drawing. All dimensions in millimetres unless otherwise stated. Welding and fabrication to be undertaken in accordance with the national steelwork specification. Testing in accordance with Table 1 Acceptance Table 2.



Rev	Description	Date
	Filename 23m_bigtop_004a	
	Title 1 Mobile Stadiums	Title 2 23m Bigtop
	 Unit 1A Sheffield Technology Park 62 Shireland Lane Sheffield S19 3SP UK Tel: +44 (0)114 22 11 651 Fax: +44 (0)114 22 11 651 ssl@specialstructures.com http://www.specialstructures.com/	Drawn by Chris Date 28-11-00 Drawing No. 004a
	Project MS	Scale