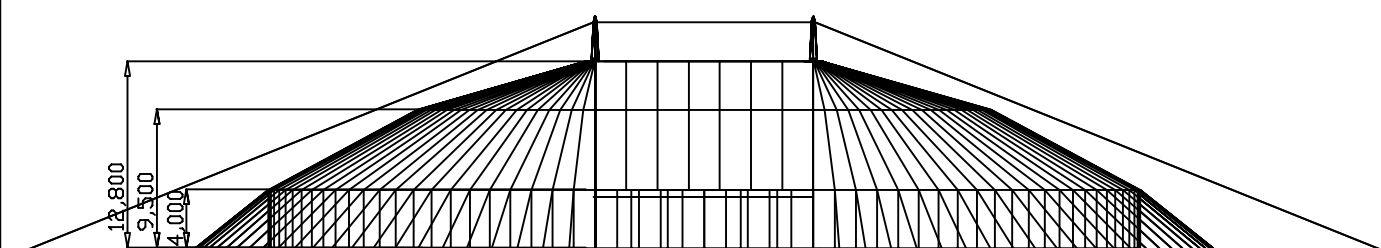
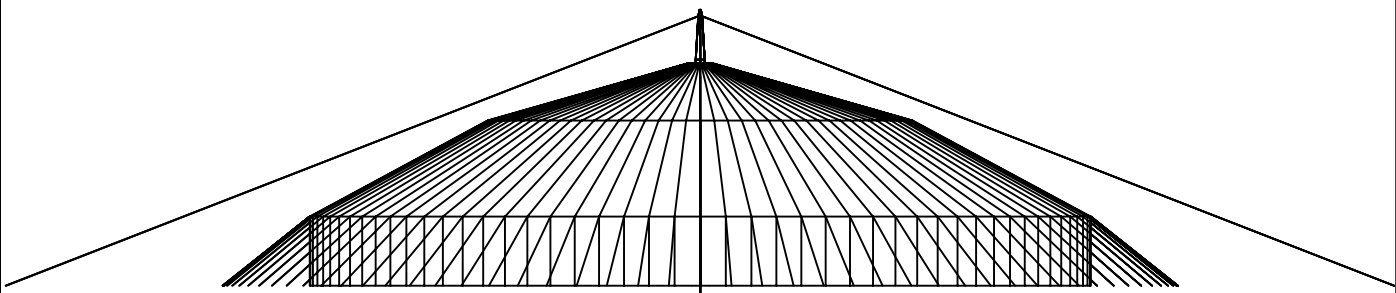
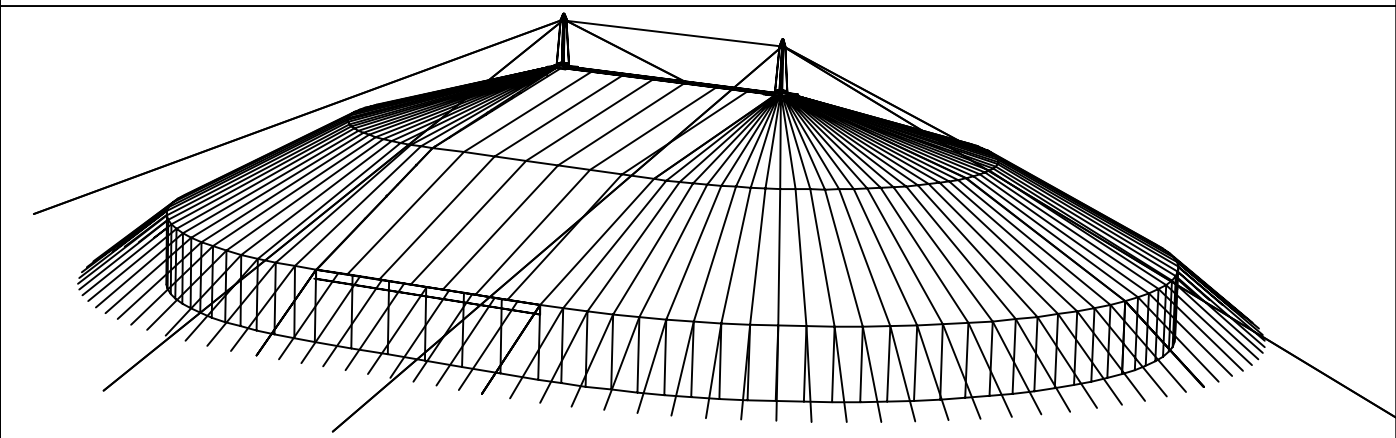
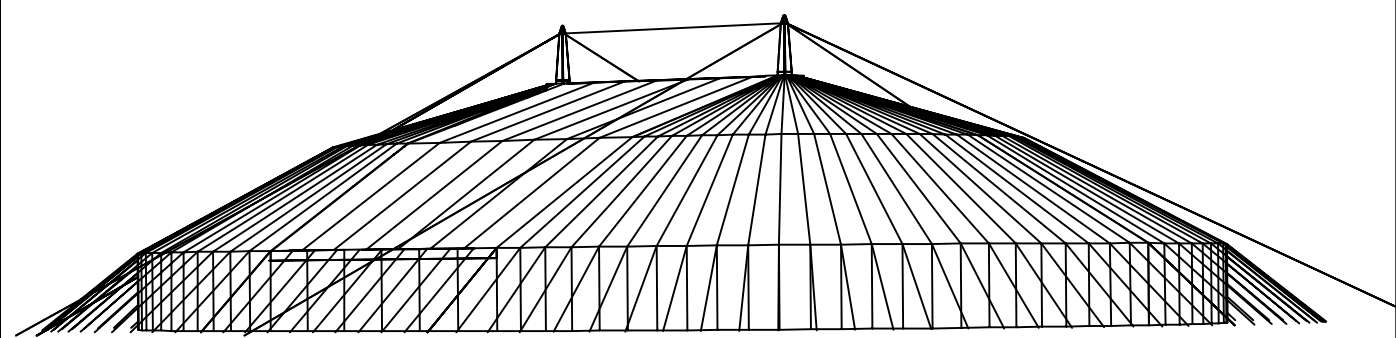
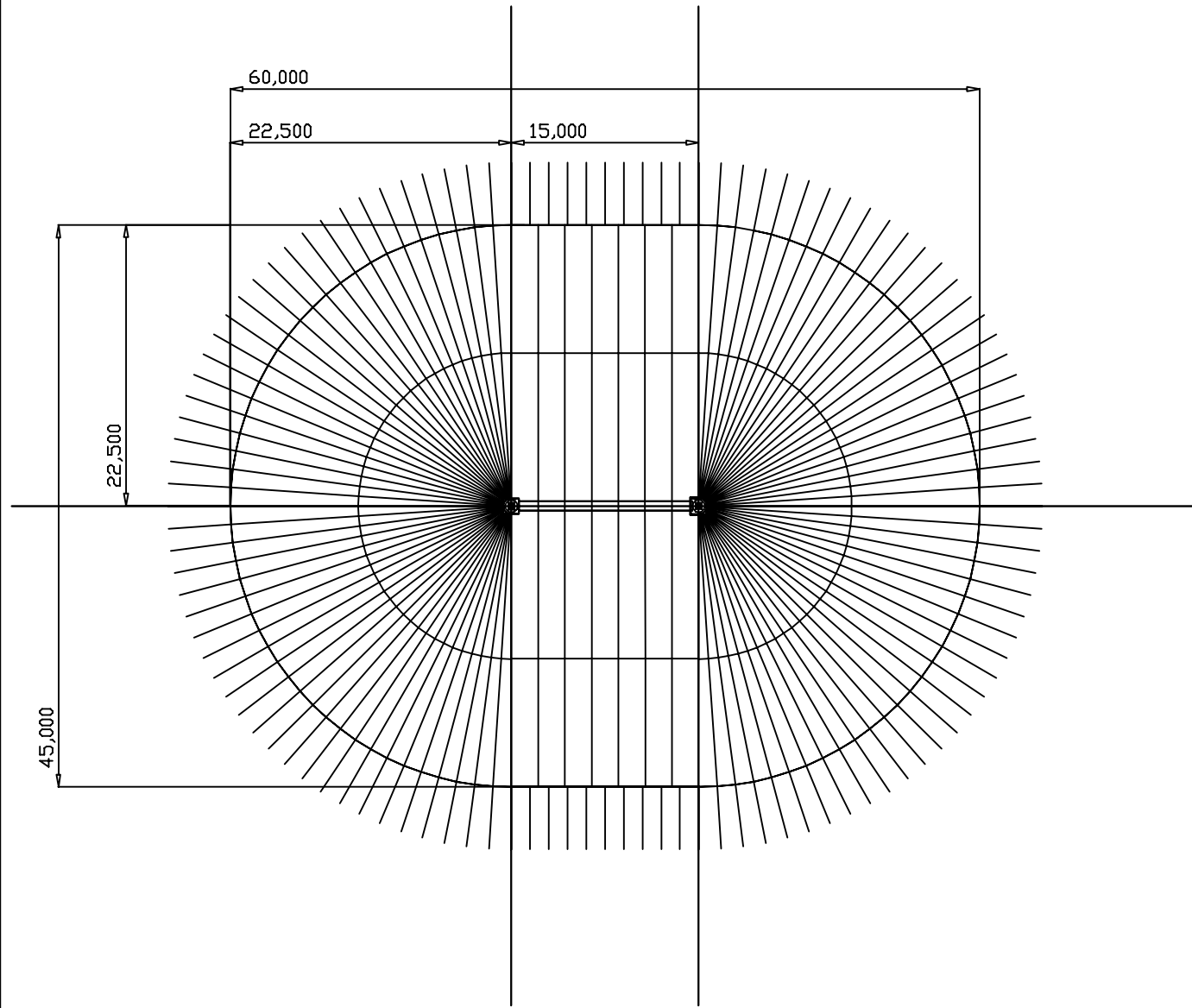


Design copyright 1999 Special Structures Lab. Do not scale from this drawing. All dimensions in millimetres unless otherwise stated. Welding and fabrication to be undertaken in accordance with the national steelwork specification. Testing in accordance with Table 1 Acceptance Table 2.



Rev	Description	Date
Title 1	MT65 Round End Big Top	
Title 2	45m x 65m (147ft x 213ft)	
Unit 1A	Sheffield Technology Park 60 Shireland Lane Sheffield S9 3SP UK	Drawn by C.B.M
SSL Special Structures LAB	Unit 1A Sheffield Technology Park 60 Shireland Lane Sheffield S9 3SP UK Tel: +44 (0)114 22 11 659 Fax: +44 (0)114 22 11 651 ssl@specialstructures.com www.specialstructures.com	Date 7-12-99
Project	mt65.703	Scale nts
Designers		Drawing No. 704