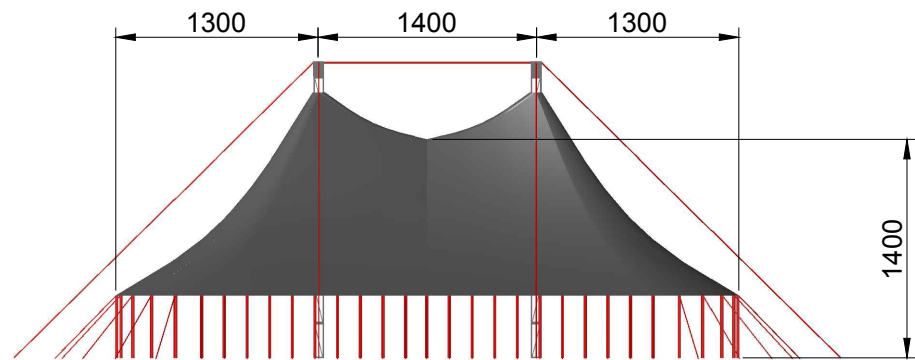
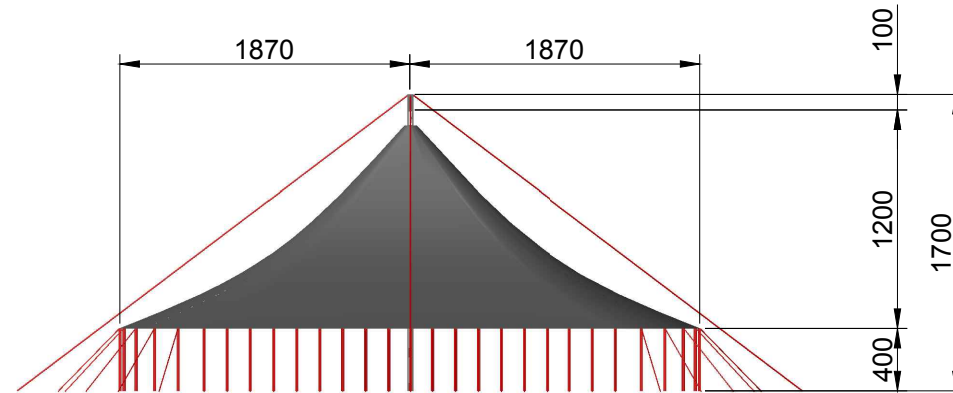


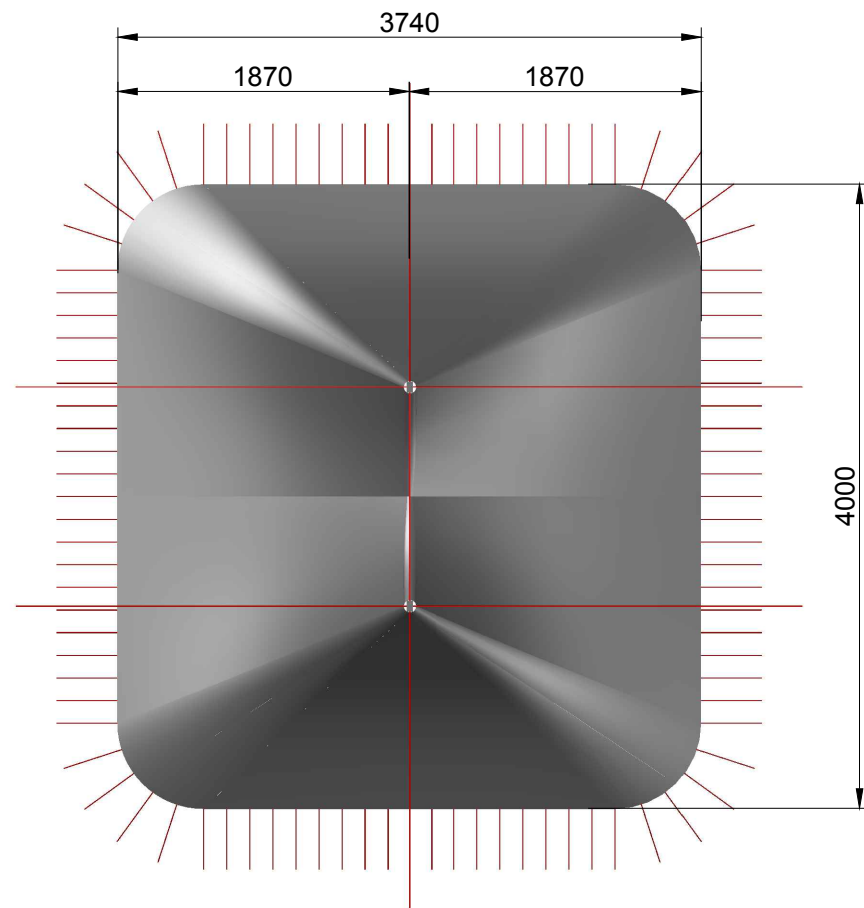
- NOTES:
 1. ALL DIMENSIONS ARE SHOWN IN MILLIMETERS.
 2. TENT COLOUR SHALL BE WHITE.



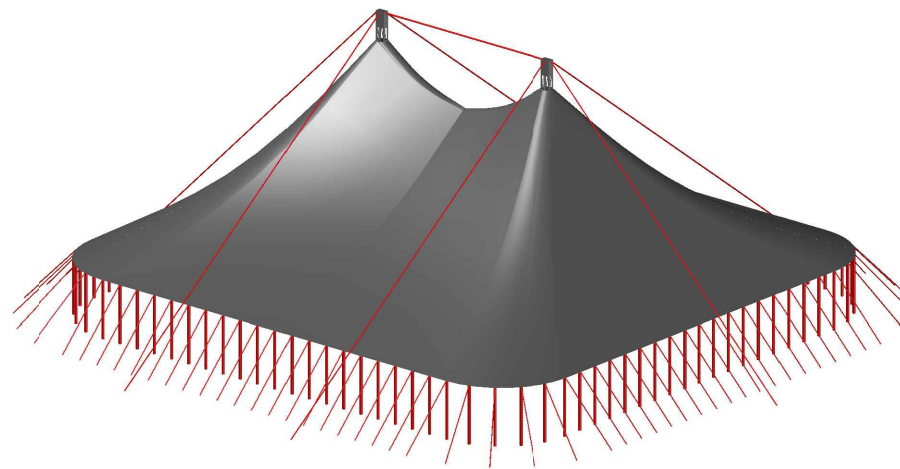
SIDE VIEW



FRONT VIEW



PLAN VIEW



ISOMETRIC VIEW

A	21/04	FOR REVIEW	TD
Rev	Date	Details Of Issue	Initials

Status

 **Jensen Consulting**
 7 Paynes Park, Hitchin
 Herts, SG5 1EH
 Tel: 01462 429707
 info@jensen-consulting.co.uk
 www.jensen-consulting.co.uk

This document and all information herein is confidential and the intellectual property of Jensen Consulting Limited. It is disclosed in confidence on terms that it will not be disclosed to any third party, used, sold, loaned, licensed, or reproduced in whole or in any part in any manner or form for manufacturing, tendering or for any other purpose without the written permission of Jensen Consulting Limited. The copyright is retained by Jensen Consulting Limited. © Jensen Consulting Limited.

Client **MOBILE STRUCTURES**

Project **TENTS**

Title **37 x 40m - 2 POLE TENT**

Drawn	Date:	Scale (at A3)
TD	21/04	1:50

Dwg no.	Revision No.
664-DWG-001	A